

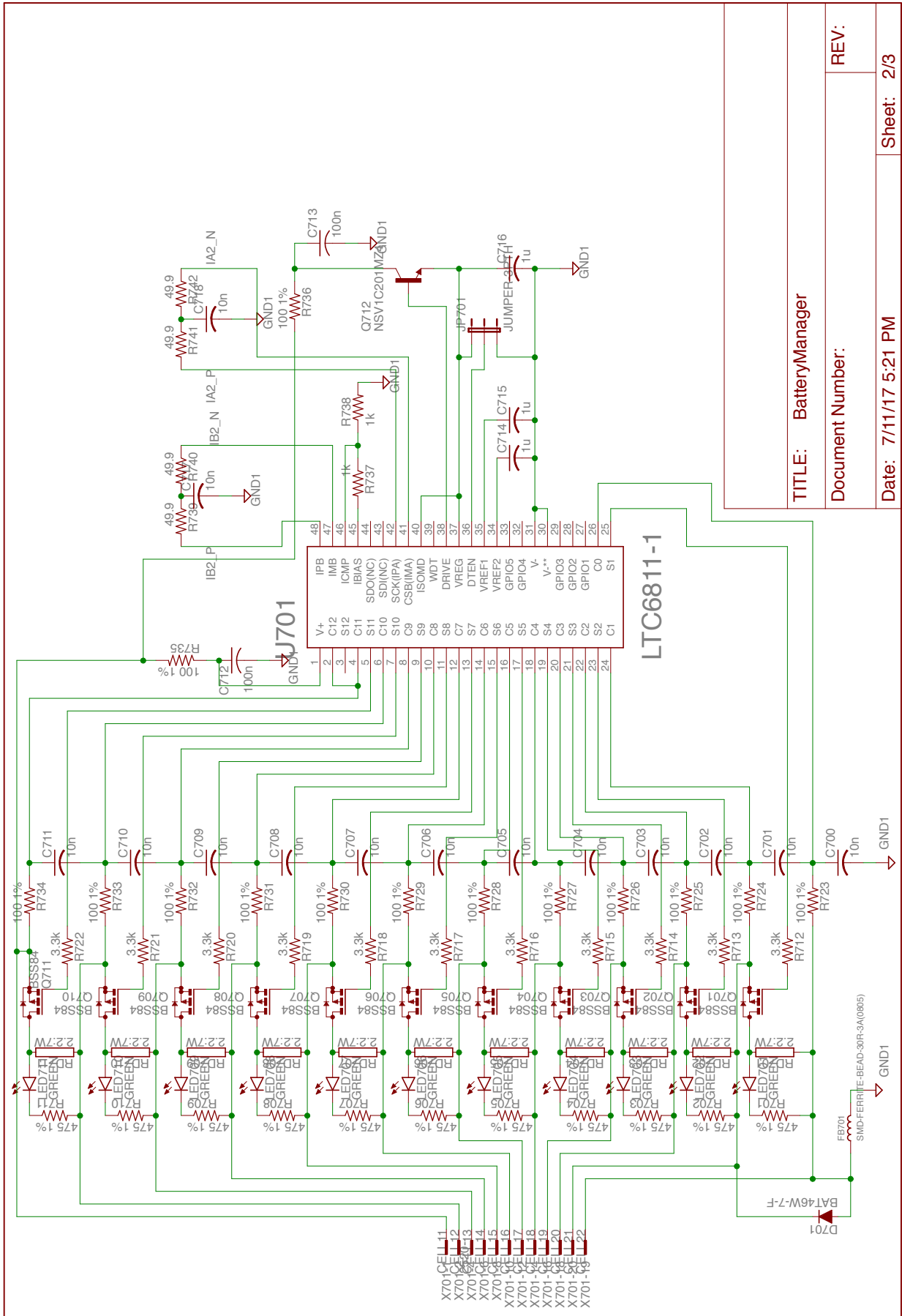
TITLE: BatteryManager

Document Number:

REV:

Date: 7/11/17 5:21 PM

Sheet: 1/3



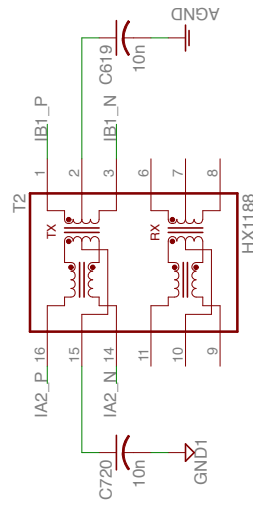
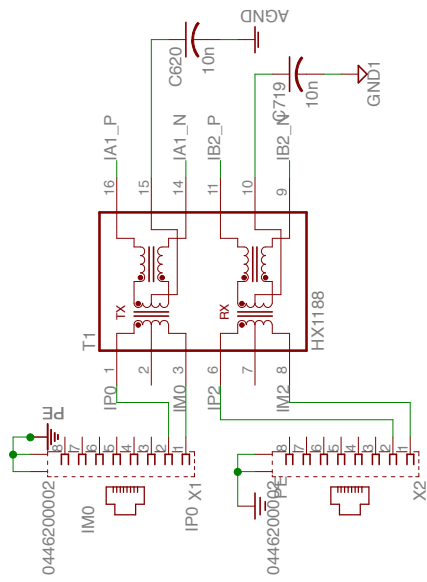
TITLE: BatteryManager

Document Number:

REV:

Date: 7/11/17 5:21 PM

Sheet: 2/3



TITLE: BatteryManager

Document Number:

REV:

Date: 7/11/17 5:21 PM

Sheet: 3/3